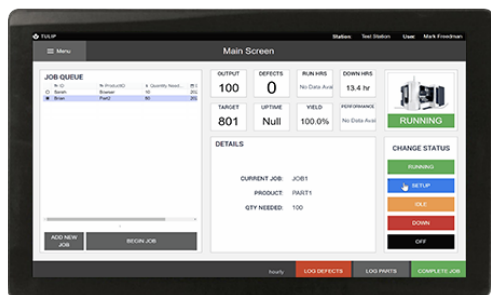




ADM-2132BP-00A

VESA Mount 32-inch KVM Extender Integrated LCD Touch Display Monitor. True one-cable solution up to 100 meters CAT6 cable.



Features

- 32-inch LCD Display, 1920 x 1080 resolutions
- Projected Capacitive Touch Screen
- Black Color Powder Coated Enclosure
- Enclosure meets IP50 requirements
- Built-in a 2-port USB 2.0 hub to support multiple USB devices.
- Built-in a 2-port 100BaseT Ethernet pass-through hub
- Single CAT6 cable connection to KVM Transmitter

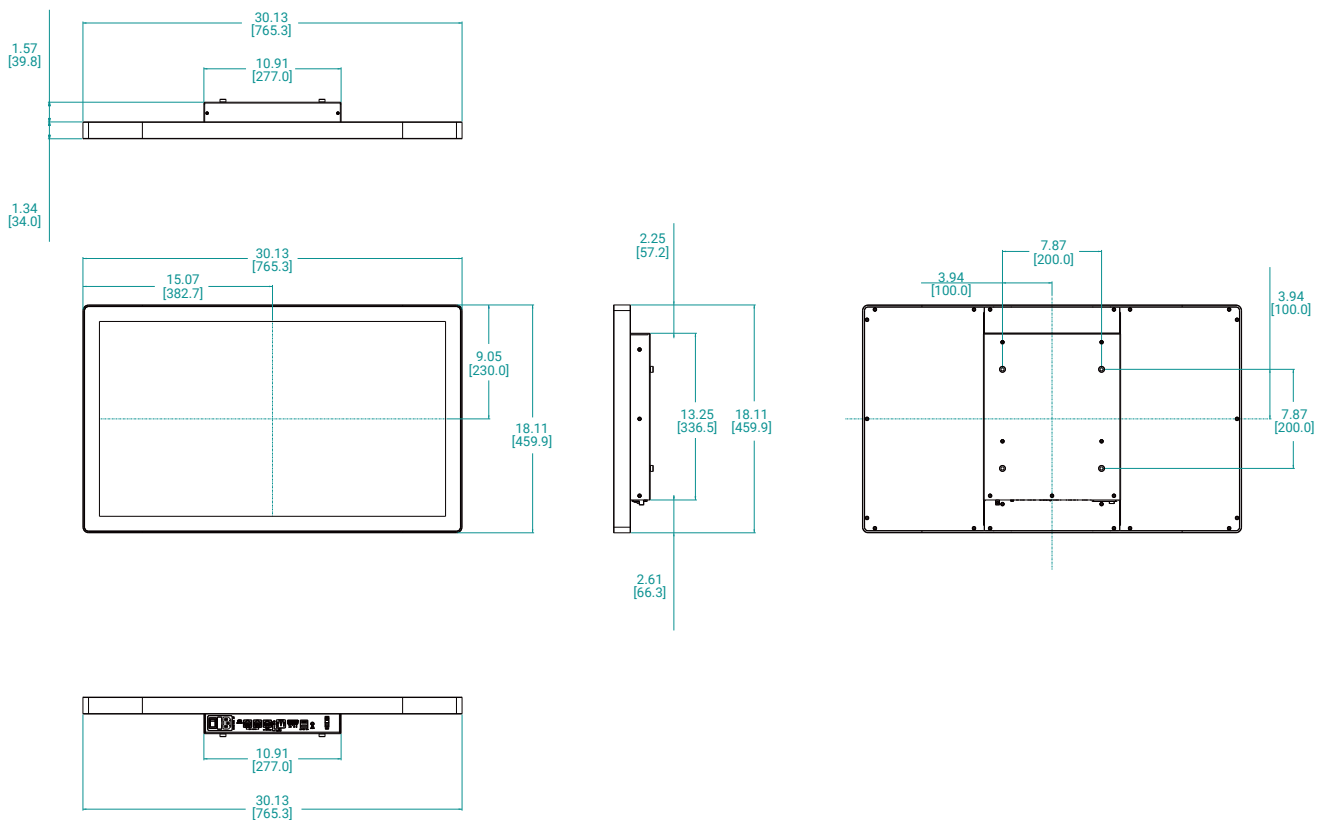
Specifications

Model Name	ADM-2132BP-00A
LCD Display	
Display Size (Diagonal)	32 inch
Max Resolution	1920 x 1080
Backlight Lifetime (Hours)	50,000 hours
Visual Characteristics	
Colors	16.7 million
Aspect Ratio	16:9
Viewing Angle (V/H)	178° / 178°
Contrast Ratio	3000:1
Brightness (max)	450 nits
Video Input	HDMI via Transmitter
Touchscreen	
Technology	Projected Capacitive
Touch Interface	USB via Transmitter
Driver	Windows 7, Windows 10
I/O	
USB Device Ports	2x
Network Pass Through	2x
Power/Thermal Specs	
Power Requirement (Max)	110VAC / 0.80A, 220VAC / 0.40A
Power Consumption (Max)	66W
Recommended Power Supply	Not Required
Heat Dissipation	225 BTU/hr
Physical Information	
Mounting	VESA Mount
Net Weight	--
Dimension (W x H x D)	30.13 x 18.106 x 1.339 inch 765.3 x 459.9 x 34 mm
Recommended Cutout Dimension (WxH)	--
Environmental	
Operation Temperature	0°C to 50°C (32°F to 122°F)
Storage Temperature	-20°C to 60°C (-4°F to 140°F)
Humidity	5% to 95% non-condensing
Enclosure	Black Color Powder Coated Enclosure
Rating	Meets IP50
Certification	N/A
KVM Transmitter (Shipped with ADM-2132BP-00A)	
Extension Media	RJ-45 Cat5e/Cat6 cable
Extension signal	Video, USB, RS-232, Ethernet, Power
Video Input	HDMI (Connect to Video Source)
USB	Type-B (Connector to Computer)
RS-232	DB-9 (No Function)
LAN 1 & 2	Network Pass Through
HDMI Loop-Back	For Local Display
Physical Information	
Mounting	Wall mount or DIN-RAIL mount
Dimension (WxHxD)	6.19 x 1.45 x 4.04 inch 157.2 x 36.8 x 102.6 mm
Power/Thermal Specs	
Power Requirement (Max)	48V DC Input
Power Consumption (Max)	7W
Recommended Power Supply	Included
Heat Dissipation	24 BTU/hr

Dimension Drawing

Model Name: ADM-2132BP

Size Unit: inch(mm)



Ordering Information

ADM-2132BP-00A	
LCD Display	32" LCD / 1920 x 1080
Touch Screen	PCAP
Mounting	VESA MOUNT
Enclosure	Black
Extender Video Input	HDMI via KVM Extender
Power Supply	Powered by KVM Extender